



## SDS0805 SERIES ~ SMD Shielded Power Inductors

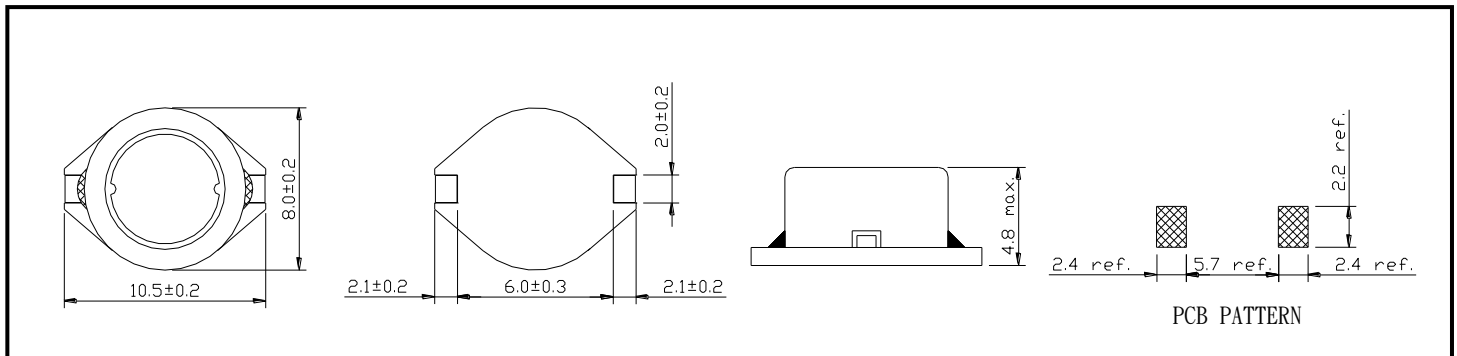


### PART NUMBERING SYSTEM

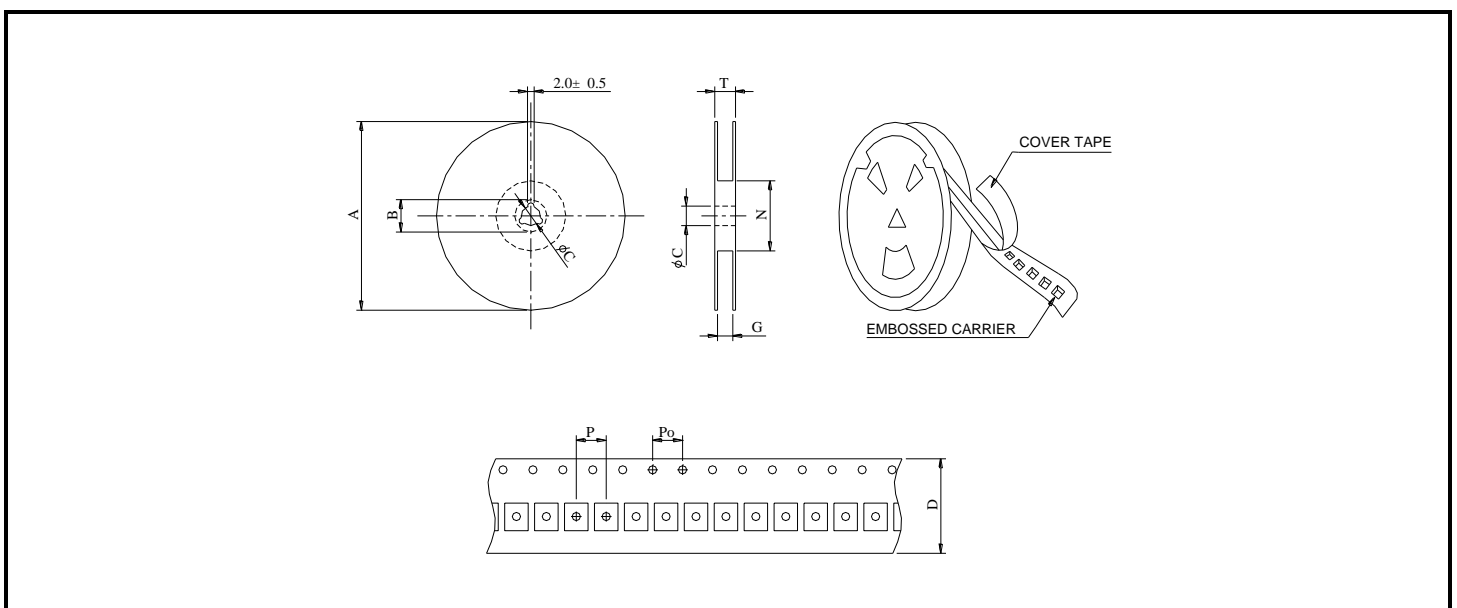
<b>SDS</b>	<b>0805</b>	—	<b>100M</b>	—	<b>LF</b>
TYPE	DIMENSIONS		INDUCTANCE		LEAD FREE

### SHAPES AND DIMENSIONS

UNIT : mm



### PACKAGING SPECIFICATION



SERIES	STAYLE	Q' TY (PCS)	DIMENSIONS (m/m)								
			A	B±0.8	C±0.5	D	G <sup>+</sup>	N <sup>0</sup>	P	Po	T
SDS0805	13-24	1000	330	21	13	24	26	50	16	4	30.4



## SDS0805 SERIES ~ SMD Shielded Power Inductors



### SPECIFICATION TABLE

PART NUMBER	INDUCTANCE ( $\mu$ H)	DCR ( $\Omega$ ) (Max.)	IDC (A) (Max.)	TEST FREQ. (f)
SDS0805-2R2N-LF	2.2 $\pm$ 30%	0.040	2.50	100KHz
SDS0805-3R9N-LF	3.9 $\pm$ 30%	0.055	2.10	100KHz
SDS0805-5R6N-LF	5.6 $\pm$ 30%	0.065	1.95	100KHz
SDS0805-8R2N-LF	8.2 $\pm$ 30%	0.080	1.75	100KHz
SDS0805-100M-LF	10 $\pm$ 20%	0.100	1.50	1KHz
SDS0805-120M-LF	12 $\pm$ 20%	0.120	1.40	1KHz
SDS0805-150M-LF	15 $\pm$ 20%	0.140	1.30	1KHz
SDS0805-180M-LF	18 $\pm$ 20%	0.160	1.20	1KHz
SDS0805-220M-LF	22 $\pm$ 20%	0.180	1.10	1KHz
SDS0805-270M-LF	27 $\pm$ 20%	0.200	1.00	1KHz
SDS0805-330M-LF	33 $\pm$ 20%	0.240	0.92	1KHz
SDS0805-390M-LF	39 $\pm$ 20%	0.260	0.84	1KHz
SDS0805-470M-LF	47 $\pm$ 20%	0.280	0.75	1KHz
SDS0805-560M-LF	56 $\pm$ 20%	0.380	0.68	1KHz
SDS0805-680M-LF	68 $\pm$ 20%	0.440	0.60	1KHz
SDS0805-820M-LF	82 $\pm$ 20%	0.550	0.54	1KHz
SDS0805-101M-LF	100 $\pm$ 20%	0.600	0.50	1KHz
SDS0805-121M-LF	120 $\pm$ 20%	0.750	0.45	1KHz
SDS0805-151M-LF	150 $\pm$ 20%	0.900	0.40	1KHz
SDS0805-181M-LF	180 $\pm$ 20%	1.050	0.35	1KHz
SDS0805-221M-LF	220 $\pm$ 20%	1.180	0.30	1KHz
SDS0805-271M-LF	270 $\pm$ 20%	1.400	0.27	1KHz
SDS0805-331M-LF	330 $\pm$ 20%	1.800	0.24	1KHz
SDS0805-391M-LF	390 $\pm$ 20%	2.100	0.22	1KHz
SDS0805-471M-LF	470 $\pm$ 20%	2.250	0.20	1KHz
SDS0805-561M-LF	560 $\pm$ 20%	3.000	0.18	1KHz
SDS0805-681M-LF	680 $\pm$ 20%	3.400	0.17	1KHz
SDS0805-821M-LF	820 $\pm$ 20%	4.000	0.16	1KHz
SDS0805-102M-LF	1000 $\pm$ 20%	5.000	0.15	1KHz

- DC current at which the inductance drops 10% (typ) from its value without current.
- Operating temperature range -40°C to +125°C.
- Electrical specifications at 25°C .